

Contents

| Fuse type | Volts | Amp range | Catalog symbol/size | Section page |
|---|--|--------------|-------------------------|--------------|
| Compact high speed fuses | | | | |
| Fuses | 500 Vac/dc | 50 to 400 | CHSF | 3 |
| UL Class J full range drive fuse | | | | |
| Fuses | 600 Vac/450 Vdc | 1 to 600 | DFJ | 4 |
| North American fuses | | | | |
| Fuses | 130 Vac/dc | 1000 to 4000 | FWA | 5 |
| | 150 Vac/dc | 70 to 1000 | FWA | 6 |
| | 250 Vac/dc | 35 to 2500 | FWX | 7 |
| | 500 Vac/dc | 35 to 1600 | FWH | 8 |
| | 600 Vac | 1 to 1000 | KAC | 9 |
| | 600 Vac | 35 to 800 | KBC | 10 |
| | 700 Vac/dc | 5 to 1200 | FWP | 11-12 |
| | 1000 Vac/800 Vdc | 35 to 2000 | FWJ | 13 |
| Accessories | Modular fuse blocks | | | 14 |
| British Standard BS88 fuses | | | | |
| Fuses | 240-250-280 Vac/150 Vdc | 6 to 180 | LCT, LET | 15 |
| | 240-250 Vac/150 Vdc | 160 to 900 | LMT, LMMT | 16 |
| | 690-700 Vac/500 Vdc | 6 to 200 | CT, ET, FE, EET and FEE | 17-18 |
| | 690-700 Vac/350-450-500 Vdc | 160 to 710 | FM, FMM, MT and MMT | 19-20 |
| Accessories | Trip indicators, clips and microswitches | | | 21 |

Continued next page

High speed fuses

Lead the charge with compact designs



Busmann series 50-400 amp compact high speed fuses use up to 48% less enclosure space

KBC — North American

600 Vac (UL), 35 to 800 A

North American style bolted tags and flush-end high speed fuses. These fuses are supplied as replacements only. For new installations, Eaton recommends the 700 V FWP fuses. See page 4-11.

Ratings

- Volts 600 Vac (UL)
- Amps 35-800 A
- IR 200 kA RMS Sym.

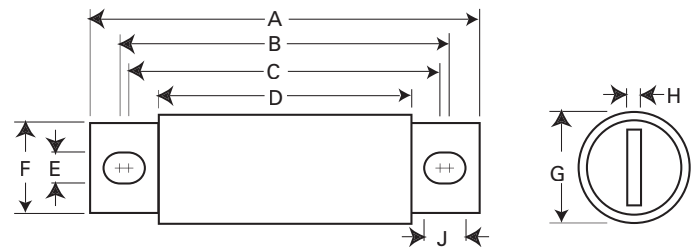
Agency information

- UL Recognized, JFHR2, E56412 (35-600 A only)
- CE

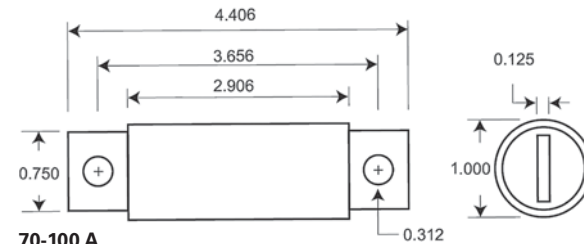


| Rated voltage | Rated current (amps) | Catalog no. |
|---------------|----------------------|-------------|
| 600 Vac (UL) | 35 | KBC-35 |
| | 40 | KBC-40 |
| | 45 | KBC-45 |
| | 50 | KBC-50 |
| | 60 | KBC-60 |
| | 70 | KBC-70 |
| | 80 | KBC-80 |
| | 90 | KBC-90 |
| | 100 | KBC-100 |
| | 110 | KBC-110 |
| | 125 | KBC-125 |
| | 150 | KBC-150 |
| | 175 | KBC-175 |
| | 200 | KBC-200 |
| | 225 | KBC-225 |
| | 250 | KBC-250 |
| | 300 | KBC-300 |
| 350 | KBC-350 | |
| 400 | KBC-400 | |
| 450 | KBC-450 | |
| 500 | KBC-500 | |
| 600 | KBC-600 | |
| 800 | KBC-800 | |

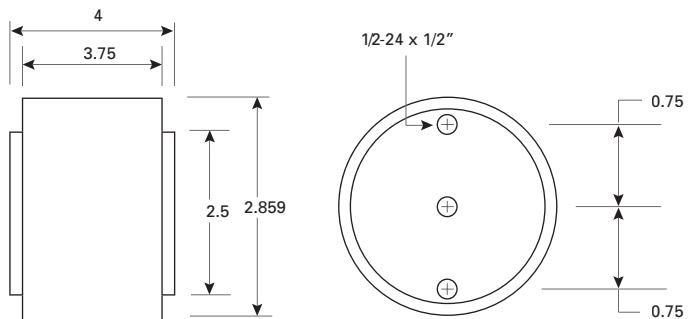
Dimensions — in



35-60 and 110-600 A



70-100 A



800 A

| Rated current (amps) | A | B | C | D | E | F | G | H | J |
|----------------------|------------------|------|------|------|------|------|------|------|------|
| 35-60 | 4.38 | 3.75 | 3.50 | 2.75 | 0.34 | 0.63 | 0.81 | 0.09 | 0.47 |
| 70-100 | Refer to drawing | | | | | | | | |
| 110-200 | 4.41 | 3.72 | 3.59 | 2.91 | 0.31 | 0.88 | 1.22 | 0.19 | 0.38 |
| 225-400 | 5.13 | 4.19 | 3.56 | 2.91 | 0.41 | 1.00 | 1.50 | 0.25 | 0.72 |
| 450-600 | 5.13 | 4.39 | 3.69 | 2.88 | 0.41 | 1.50 | 2.00 | 0.25 | 0.76 |
| 800 | Refer to drawing | | | | | | | | |

1" = 25.4mm